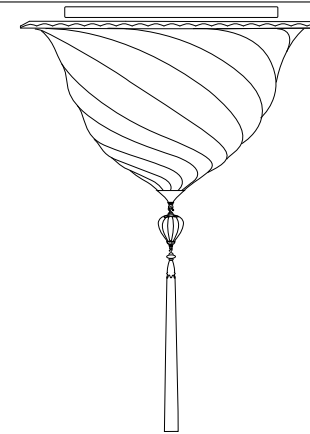


---

◆ ATELIER **FORTVNY** VENEZIA ◆

produced & distributed by Fortuny S.r.l. San Marco, 2425 - 30124 Venezia - Italy p+39 041 5236953 . info@fortuny.it  
www.fortuny.it

---



---

**SAMARKANDA / art. G 041 SK-2 / glass**

---

**assembly instructions / flush**

---

**LED | 3 x MAX 5W | E14 | 220-240V | 50-60 Hz**

---



---

ATTENTION: do not use abrasive products to clean this lamp but only a damp cloth.

---

Our creations may show slight imperfections due to the special handwork required on each piece. Variations are one of the features which make each of our products an original and unique item.

---

---

**IMPORTANT: keep for any possible need**

---

## GENERAL:

- Read all instructions and review diagrams beginning with the installation of the fixture.
- All electrical connections must be in accordance with local codes, ordinances or national codes. If you are unfamiliar with methods of electrical wiring, secure the services of a qualified licensed electrician.

## BEFORE BEGINNING INSTALLATION:

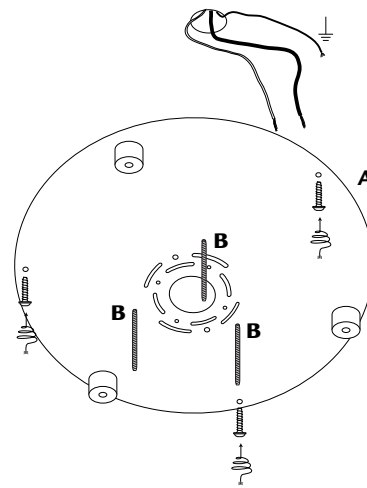
- Turn off the electricity to the outlet box at the circuit breaker or fuse box.
- If you are replacing an existing fixture, remove the old fixture and expose the supply wiring.
- Remove the old cross bar.

## ELECTRICAL CONNECTIONS:

- Connect the blue wire from the fixture to the blue wire of the supply circuit.
- Connect the brown wire from the fixture to the brown supply wire. Connect the ground wire - yellow/green - to the ground conductor of the supply circuit. Make sure that there are no loose strands of wire and that there are no loose connections.

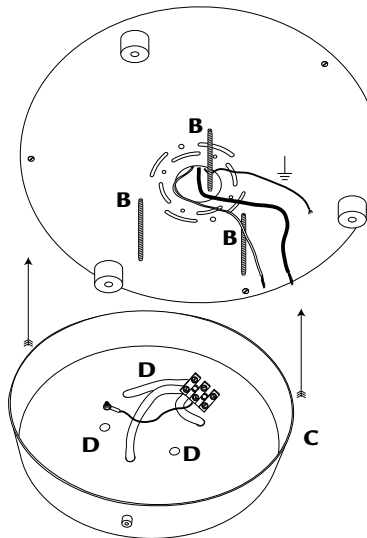
## INSTALLING FIXTURE:

1. Before starting the installation, disconnect the power.
2. Attach the cross bar **A** to the ceiling using screws.

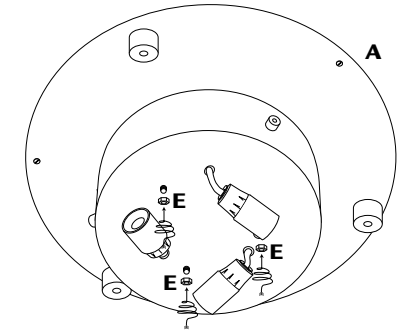


3. Make the electrical connections. Refer to the section titled Electrical Connections.

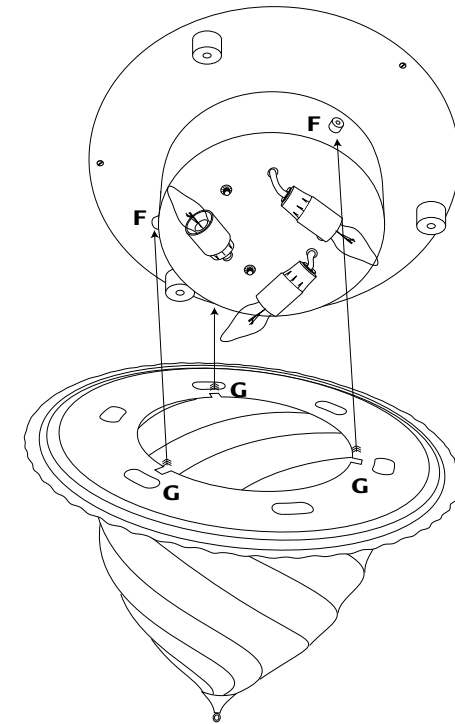
Place the cover **C** over the cross bar, so that the 3 nipples **B** extends through the 3 holes cover **D**.



4. Secure the cover against the fixture **A** screwing the 3 screws **E** on the 3 nipples **B**.



5. Install bulbs. Do not exceed the maximum wattage for this fixture. Refer to the wattage warning label attached to the fixture for maximum allowable wattage.
6. Hang up the lampshade: insert the 3 pins **F** in the clefts **G** and rotate the lampshade clockwise till stop.



7. Suspend the drop. Restore the electricity and test.